

LED Smart HighBay

## SHB Series

**SOLUM SHB series** feature high efficiency, multi-functional usages in industrials and indoor application with a diverse selection of wattages. It's an advanced highbay solution with various controls such as multi-sensor, ZigBee, DALI. The efficacy is up to 143lm/W. With two beam angles of 55, 90 degree, SHB series enable to offer high uniformity and intensity to fulfill the requirement of different lighting applications.



SHB-9040D

### Application

Warehouses, Factories, Gyms, Industrials

### Key Facts & Features

- MH 250W~400W conventional light replacement
- Easy to change the light position
- CCT 3000 / 4000 / 5000/ 5700K
- Suspension / Stem / Surface / Wall mount Installation
- Flicker Free driver
- IP 65 rating & IK 08



### Ordering Information

Example: SHB-9040D

S	HB	90	40	D			
Model	Design	Wattage	CCT	Dimming			
S Smart	HB HighBay	90 90Watt	40 4000K	D DALI			
		112 112Watt	50 5000K	M Multi-Sensor			
		157 157Watt					

# SHB Series

## Specifications

### General

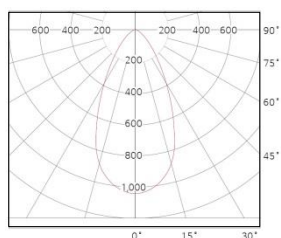
- High Efficacy up to 143lm/W
- Suitable for a harsh environment
- Two beam angle option(55, 90degree)
- Variables in wattage(90, 112, 134, 157, 179W)
- 0-10V dimming(multi-sensor, DALI optional)
- IP65
- Light weight 3.7kg



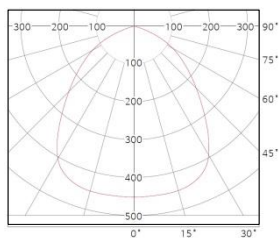
Connect module    DALI module    M-sensor module

	Classification	Unit	SPECIFICATIONS
General	Power Consumption	W	90
	Dimension	-	472(L) x 460(W) x 158(H)mm
	Working Temp.	-	-22°F(-30°C) ~ +122°F(+50°C)
	IP Rate	-	IP65
Optical	Luminous Flux	lm	≤ 12,900
	Color Temp.	K	4000, 5000
	CRI	Ra	83
	Beam Angle		55, 90
	Luminous Efficacy	lm/W	≤143
Electrical	Voltage Range	Vac	220-240
	Frequency Range	Hz	50 ~ 60
	Power Factor	PF	90% over
	Efficiency	%	90% over
	THD	%	<20

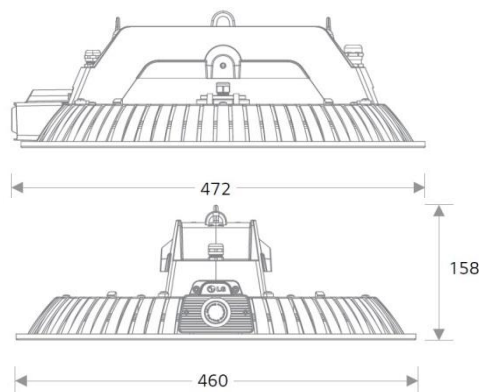
## Beam Distribution & Dimension



[ 55 deg.]



[ 90 deg.]



[ W460 x L472 x H158 ]

## Effective Projected Area

EPA (Frontal projected area(A) x Drag Coefficient(DC) where, Drag Coefficient(DC) = Angle body = 1.0)

Luminaire		EPA(m <sup>2</sup> ) : 0.6818 EPA(ft <sup>2</sup> ) : 7.3388	
Wattage	90W		